



---

# ARTICULATED & TELESCOPIC BOOM LIFTS



## DIESEL ARTICULATED BOOM LIFTS

Our articulated boom lifts, with working heights from 16 to 28 m, can reach any working area. Ideal for maintenance and installation work, tree pruning etc. Up-and-over capacity thanks to the smart design and impressive outreach. Articulated boom lifts with working heights below 20 m can be used in tight spaces, thanks to the optimised chassis size which allows zero-clearance rotation.

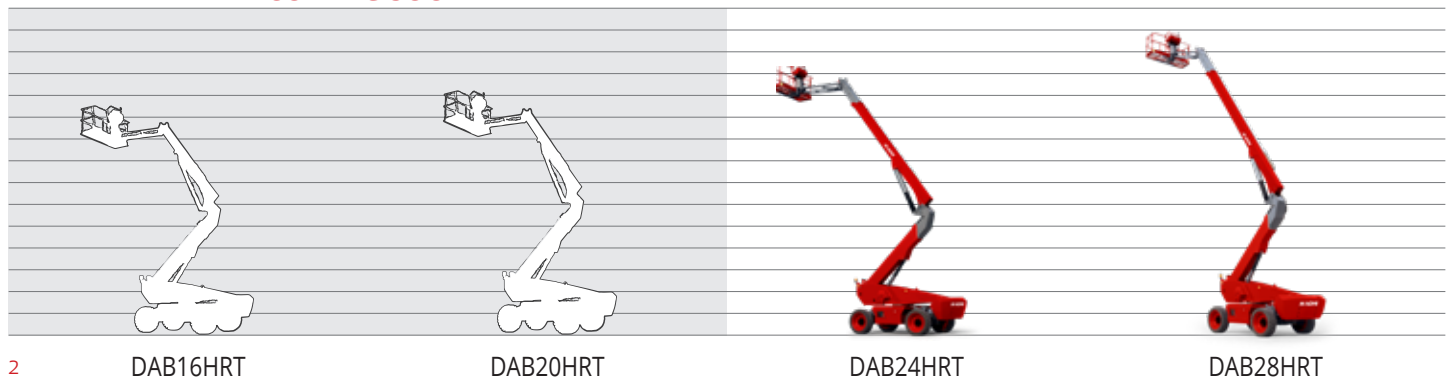
D  
A  
B



## STANDARD EQUIPMENT

- Integrated diagnostics screen with CAN-BUS technology
- Four-wheel drive
- Four-wheel steering
- Oscillating front axle for greater stability on rough terrain
- Simultaneous proportional movements which provide safe smooth and effective work
- Differential locking for outstanding traction performance
- Low centre of gravity for optimum overall stability
- Immersed multi disc-brakes
- Upper control panel protection
- Patented tilting control panel at ergonomic height to facilitate operation from the ground and moving the machine onto trucks in complete safety
- LIFELINE SAFETY: anti-crushing sensor
- QUICK BOOM SISTEM: rapid boom raising and lowering
- Access to the platform with sliding bar and selfclosing swing doors
- Powerline to the platform/ AC line to the platform
- Facilitated maintenance in engine and tank compartment, thanks to their low position
- Acoustic and visible tilt and overload warning alarm
- Motion acoustic alarms
- Emergency warning alarms
- Fuel gauge with indicator light
- Warning beacon
- Hour counter
- Starter and emergency pump battery (12 V)
- Engine pre-heating with indicator light
- Back-up electric pump for emergency lowering
- Emergency stop button in the basket and on the chassis
- Wide and spacious platform
- Deadman switch pedal
- High-quality components from major European suppliers
- The high percentage of components in common throughout the range

### COMING SOON



DAB16HRT

DAB20HRT

DAB24HRT

DAB28HRT

# TECHNICAL DATA

	PRELIMINARY	PRELIMINARY		
	DAB16HRT	DAB20HRT	DAB24HRT	DAB28HRT
Maximum working height	16.1 m	19.8 m	24.3 m	28.1 m
Maximum platform height	14.1 m	17.8 m	22.3 m	26.1 m
Maximum outreach			17.1 m	19.4 m
Below-ground reach			4.00 m	6.50 m
Maximum limited basket load capacity	450 kg	450 kg	320 kg	270 kg
Maximum unlimited basket load capacity	300 kg	300 kg	-	-
Maximum working slope	5°	5°	5°	5°
Platform width	2.44 m	2.44 m	2.44 m	2.44 m
Platform length	0.91 m	0.91 m	0.91 m	0.91 m
Articulation point			9.1 m	9.1 m
Length (stowed)			9.84 m	11.85 m
Transport length			9.84 m	11.85 m
Working width (tyres)	2.50 m	2.50 m	2.50 m	2.50 m
Wheelbase	2.40 m	2.40 m	2.80 m	2.80 m
Turning radius (outside)			3.74 m	3.74 m
Turning radius (inside)			0.97 m	0.97 m
Space under tailswing	0 m	0 m	1.62 m	1.62 m
Ground clearance			0.43 m	0.43 m
Height (stowed)			2.89 m	2.89 m
Jib vertical rotation			136° (-54°/+82°)	136° (-54°/+82°)
Boom vertical rotation			112° (+72°/-40°)	112° (+72°/-40°)
Jib type	Regular	Regular	Regular	Regular
Jib length			2.60m	2.60m
Basket rotation	180° (±90°)	180° (±90°)	180° (±90°)	180° (±90°)
Turret rotation (continuous)	360°	360°	360°	360°
Max. gradeability (stowed)	45%	45%	45%	45%
Travel speed (stowed)	5.5 km/h	5.5 km/h	5.5 km/h	5.5 km/h
Travel speed (extended/raised)	1.1 km/h	1.1 km/h	1.1 km/h	1.1 km/h
Tyres (foam filled)	315 / 55 D20	315 / 55 D20	385 / 45-28	385/ 45-28
Engine	Deutz D L4 2.9 36.4 kW	Deutz D L4 2.9 36.4 kW	Deutz TD L4 2.9 55kW	Deutz TD L4 2.9 55kW
Total weight	-	-	16700 kg	18000 kg
Diesel tank capacity	135 l	135 l	135 l	135 l
Hydraulic tank capacity	150 l	150 l	150 l	150 l
Power supply	12 V	12 V	12 V	12 V
Maximum wind speed	12.5 m/s	12.5 m/s	12.5 m/s	12.5 m/s

**STANDARDS COMPLIANCE:** EN 280, ANSI/SAIA A92.20

## APPLICATION



**Oil & gas**  
Petro chemical  
Offshore



**Window installation**



**Construction**  
Façade work  
Cladding  
Installation



**Restoration**  
Sandblasting  
Painting



**Large events**  
Concert  
Festival



**Maintenance of green areas**  
Tree cutting



**Aircraft maintenance**  
Ship repair



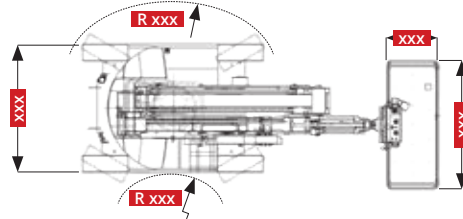
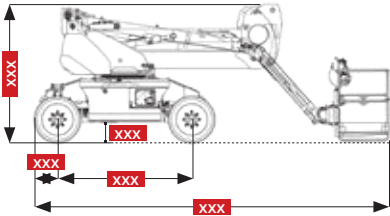
**Plant services**



# TECHNICAL DRAWINGS

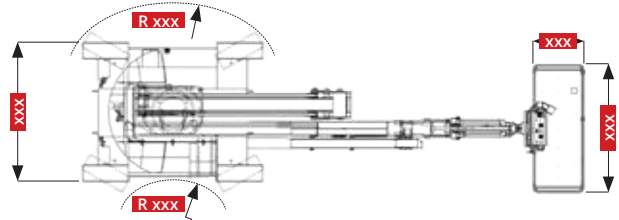
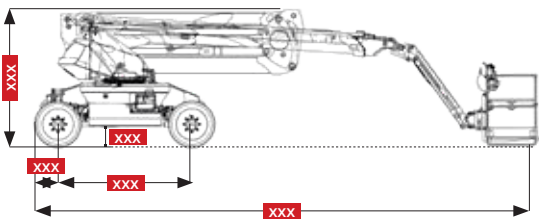
## DAB16HRT

COMING SOON

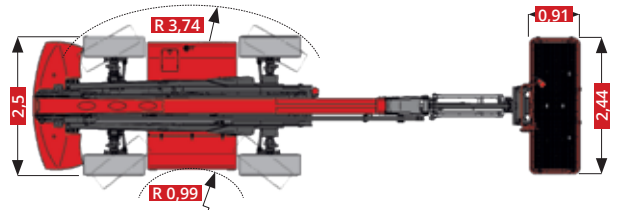
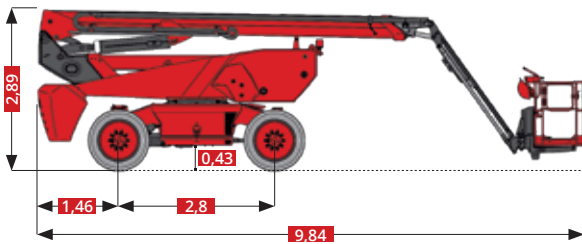


## DAB20HRT

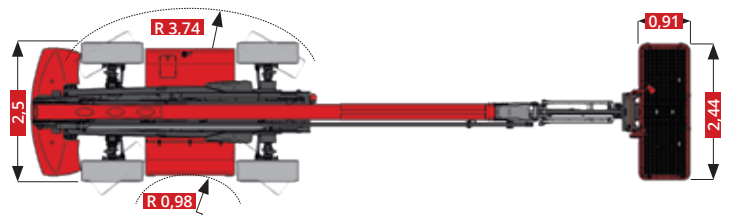
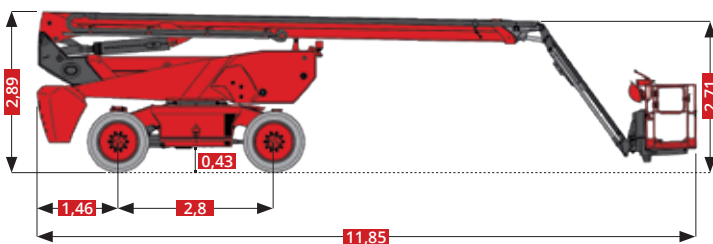
COMING SOON



## DAB24HRT

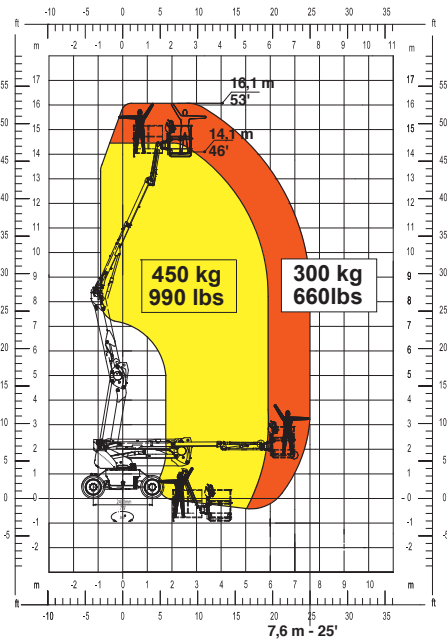


## DAB28HRT

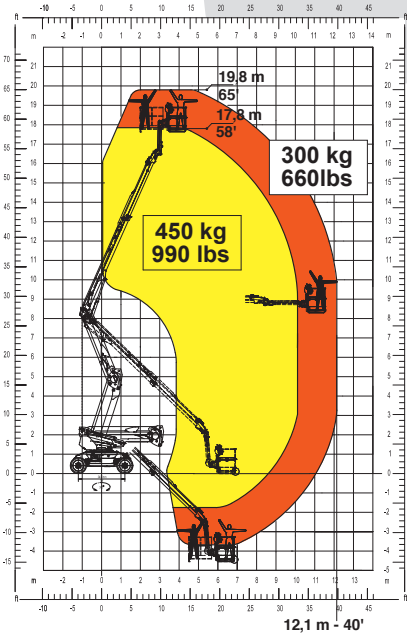


# LOAD CHARTS

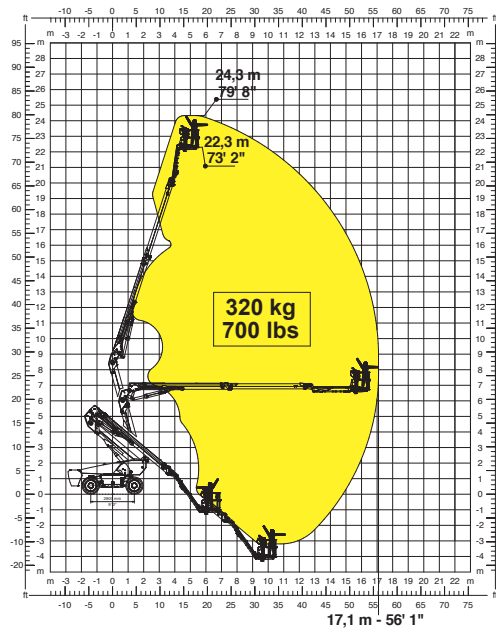
DAB16HRT



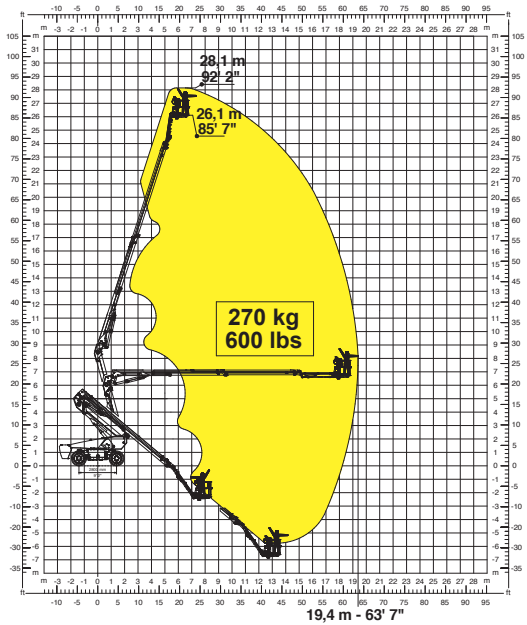
DAB20HRT



DAB24HRT



DAB28HRT



## BEST PERFORMANCE FOR EVERY APPLICATION

- **Performance and off-road:** get the job done faster and more efficiently with a powerful combination of speed and gradeability. The drive traction system and the oscillating axle work together based on ground conditions to help keep the machine moving without losing traction on rough terrain
- **Smart design:** customer-preferred controls mean fewer buttons and switches used to position the platform and less time spent learning to use the platform controls

- **Low center of gravity design:** means more stability of the unit in any work conditions, ensuring better safety and easy access. This design guarantee also a better maintenance of the engine and components
- **Operator capabilities:** the platforms on the boom lifts are very spacious and robust, in addition, the jib provides a high range of motion, 82° up and 54° down



## ELECTRICAL ARTICULATED BOOM LIFTS

Today more customers are demanding eco-friendly equipment for constructing “green” building and renovation works. Magni range of electric powered aerial work platforms feature longer run time, greater uptime and higher productivity. The energy-efficient electric drive help boosting productivity and are specifically designed to have fewer scheduled services and a quieter work area and at last less dependency on hydraulic oils and zero emissions.



### STANDARD EQUIPMENT BA20E

- Proportional controls
- Safety electric pump
- Hour meter
- Tilt indicator
- 360° continuous turret rotation
- Self-leveling platform
- 4X4 Drive
- Foam-filled tyres
- Onboard diagnostics system
- All motion alarms
- Horn
- Flashing beacon
- Zero emission
- Dead man switch pedal

### STANDARD EQUIPMENT BA16E - BA18E

- Proportional controls
- Manual safety electric pump
- Hour meter
- Tilt indicator
- 360° continuous turret rotation
- Self-leveling platform
- 4x2 Drive
- Foam-filled tyres
- Onboard diagnostics system
- All motion alarms
- Horn
- Joystick with safety trigger
- Flashing beacon
- Zero emission



BA16E



BA18E



BA20E

# TECHNICAL DATA

	BA16E	BA18E	BA20E
Maximum working height	16.30 m	18.00 m	20.23 m
Maximum platform height	14.30 m	16.00 m	18.23 m
Maximum outreach	7.15 m	8.30 m	11.14 m
Maximum limited basket load capacity	230 kg	230 kg	230 kg
Up and over clearance	7.89 m	8.90 m	7.65 m
Maximum working slope	3°	3°	5°
Platform width	1.45 m	1.45 m	2.20 m
Platform length	0.76 m	0.76 m	0.80 m
Length	6.77 m	7.21 m	8.61 m
Transport length	5.15 m	6.10 m	6.71 m
Wheelbase	2.00 m	2.00 m	2.60 m
Turning radius (outside)	3.30 m	3.30 m	3.37 m
Turning radius (inside)	2.08 m	2.08 m	5.37 m
Space under tailswing	0	0	0.63 m
Ground clearance	0.20 m	0.20 m	0.34
Height	2 m	2 m	2.44 m
Jib vertical rotation	130° (+70°/-60°)	130° (+70°/-60°)	130° (+70°/-60°)
Jib type	Regular	Regular	Regular
Basket rotation	180° (±90°)	180° (±90°)	180° (±90°)
Turret rotation (continuous)	360°	360°	360°
Max. gradeability	30%	25%	40%
Travel speed (stowed)	6.1 km/h	6.1 km/h	6.1 km/h
Travel speed (extended/raised)	1.1 km/h	1.1 km/h	≤ 1.1 km/h
Tyres	17.5 x 6.75	17.5 x 6.75	315 / 55 D20
Driving motors	AC 48 V / 3.3 kW	AC 48 V / 3.3 kW	AC 48 V / 3.3 kW
Lifting motor	48 V / 4.5 kW	48 V / 4.5 kW	48 V / 3.8 kW
Batteries	8 x 6 V / 420 Ah	8 x 6 V / 420 Ah	8 x 6 V / 420 Ah
Integrated charger	48 V / 25 A	48 V / 25 A	48 V / 25 A
Hydraulic tank capacity	30 l	30 l	67 l
Total weight	6700 kg	7420 kg	8360 kg

**STANDARDS COMPLIANCE:** EN 280, ANSI/SAIA A92.20

## APPLICATION



**Oil & gas**  
Petro chemical  
Offshore



**Window installation**



**Construction**  
Façade work  
Cladding  
Installation



**Restoration**  
Sandblasting  
Painting



**Large events**  
Concert  
Festival



**Maintenance of green areas**  
Tree cutting



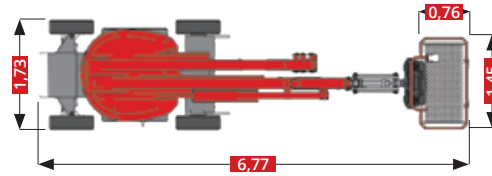
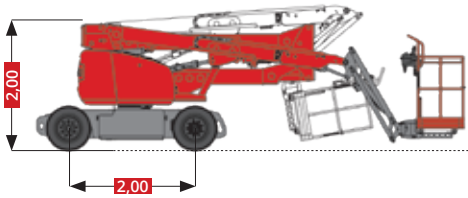
**Aircraft maintenance  
Ship repair**



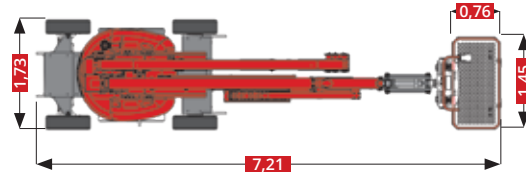
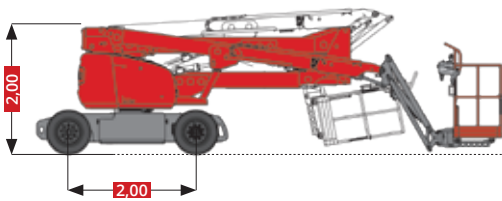
**Plant services**

# TECHNICAL DRAWINGS

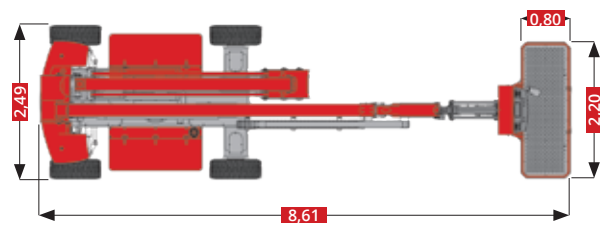
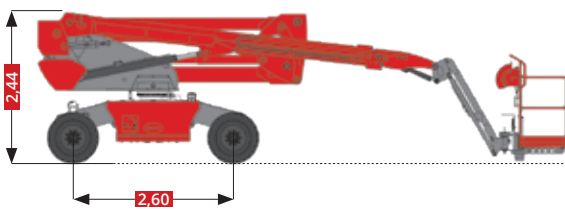
## BA16E



## BA18E



## BA20E

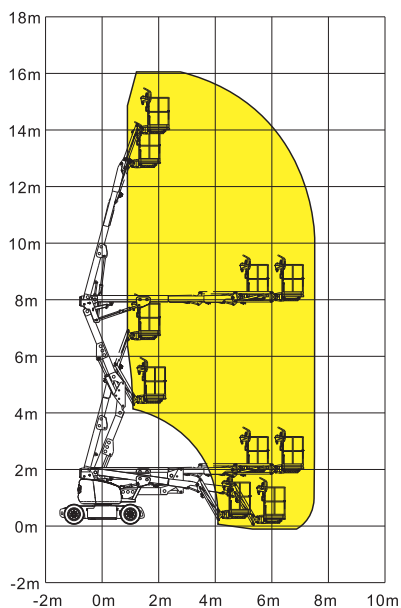




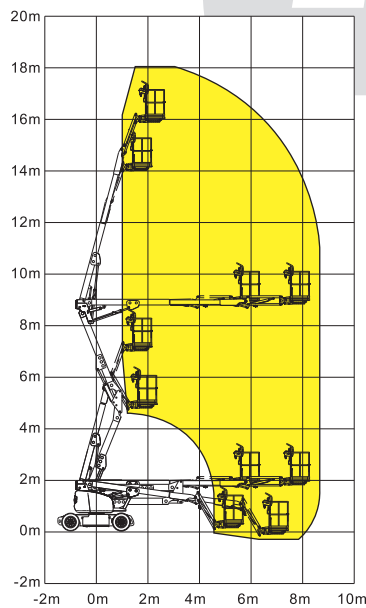
# LOAD CHARTS



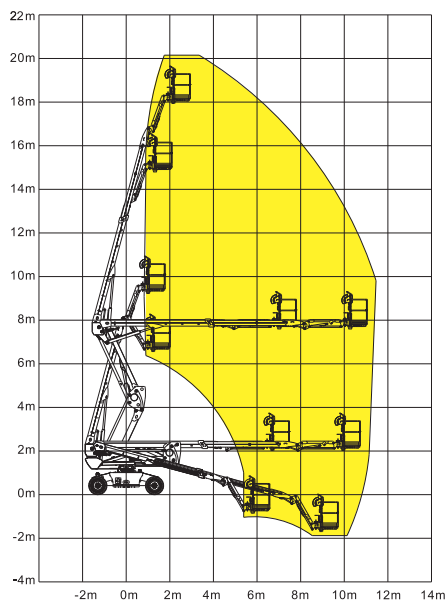
BA16E



BA18E



BA20E



## CLEAN PERFORMANCE & VERSATILE FOR ANY WORKSITE

- **Compact chassis:** ideal solution for working in narrow aisle sites thanks also to its tight turning radius and zero tailswing
- **Accessibility:** up-and-over access
- **Easy-to-transport:** fits on a trailer or tilt-back truck (low weight, good gradeability, compact chassis)
- **Easy-to-use joystick & control panels:** fully electro-proportional drive and lift control smoother and more efficient
- **Longer runtime with a single charge:** the electric drive delivers more than double the battery life of hydraulic drive machines
- **Low emissions & maintenance:** reduced emissions, noise level and maintenance, perfect for indoor operations



## TELESCOPIC BOOM LIFTS

Magni unique design and speed make telescopic boom platforms the ideal working tool for shipbuilding, demolition, construction, maintenance and finishing of artworks. Some models in this range feature an articulating jib which is particularly useful for approaching the working area or operating in a suspended position.

# B T D



## STANDARD EQUIPMENT

- Integrated diagnostics screen with CAN-BUS technology
- Four-wheel drive
- Four-wheel steering
- Oscillating front axle for greater stability on rough terrain
- Simultaneous proportional movements which provide safe smooth and effective work
- Differential locking for outstanding traction performance
- Control panel protection
- Low centre of gravity for optimum overall stability
- Immersed multi disc-brakes
- Upper control panel protection
- Patented tilting control panel at ergonomic height to facilitate operation from the ground and moving the machine onto trucks in complete safety
- Telescopic jib as standard on 30 and 26 m models
- Control panel with main operating parameters
- Access to the platform with sliding bar and selfclosing swing doors
- Powerline to the platform/ AC line to the platform
- Facilitated maintenance in engine and tank compartment, thanks to their low position
- Acoustic and visible tilt and overload warning alarm
- Motion acoustic alarms
- Emergency warning alarms
- Fuel gauge with indicator light
- Warning beacon
- Hour counter
- Starter and emergency pump battery (12 V)
- Engine pre-heating with indicator light
- Back-up electric pump for emergency lowering
- Wide and spacious platform
- Deadman switch pedal
- High-quality components from major European suppliers
- The high percentage of components in common throughout the range

### COMING SOON



10 DTB16HRT

DTB22HRT

DTB24HRT

DTB26HRT

DTB28HRT

DTB30HRT

## **BEST PERFORMANCES FOR EVERY USAGES**

---

Productivity is the element that stands out in any construction yard work. This means that the quality of the equipment and of the employed machines must provide the best performance, in order to assure the maximum productivity. With Magni range of telescopic platforms equipped with a diesel motor, you can reach higher sites in total safety. Magni range guarantees all the necessary power and versatility on both smooth and irregular surfaces. The work diagrams achieve excellent performances, assuring safe load capacities to always fulfill every need.

## **ACCESS AND MANEUVERABILITY**

---

These models offer ideal up and over reach in confined work spaces. Minimal tailswing means there is less of a need to reposition the platform when rotating the turntable in crowded areas. And, the compact size suits applications where a lower machine weight is needed.

## **PRECISE POSITIONING AND CONTROL**

---

The jib moves 132° to 136° vertically, depending on the model. Proportional lift and drive controls allow you to determine the speed of each function and make smooth, precise movements to position yourself exactly where you need to work.

## **JOBSITE PERFORMANCE**

---

Magni boom lifts quickly gets workers from ground to max height for additional productivity performance. It will also cut service time with the easy access engine and hydraulics.



# TECHNICAL DATA

	PRELIMINARY		PRELIMINARY			
	DTB16HRT	DTB22HRT	DTB24HRT	DTB26HRT	DTB28HRT	DTB30HRT
Maximum working height	16.1 m	22.5 m	24.8 m	26.7 m	28.6 m	30.3 m
Maximum platform height	14.1 m	20.5 m	22.8 m	24.7 m	26.6 m	28.3 m
Maximum outreach	12.8 m	17.3 m	17.9 m	19.8 m	21.9 m	23.4 m
Below-ground reach	0.45 m	0.50 m	0.20 m	1.20 m	0.50 m	1.70 m
Maximum limited basket load capacity	450 kg	450 kg	454 kg	454 kg	454 kg	454 kg
Maximum unlimited basket load capacity	300 kg	300 kg	-	-	-	300 kg
Maximum working slope	5°	5°	5°	5°	5°	5°
Platform width	2.44 m	2.44 m	2.44 m	2.44 m	2.44 m	2.44 m
Platform length	0.91 m	0.91 m	0.91 m	0.91 m	0.91 m	0.91 m
Length (stowed)	9.48 m	10.15 m	10.24 m	10.83 m	11.64 m	12.23 m
Transport length	9.48 m	10.15 m	10.24 m	8.51 m	11.64 m	8.79 m
Working width (tyres)	2.30 m	2.50 m	2.50 m	2.50 m	2.50 m	2.50 m
Wheelbase	2.40 m	2.40 m	2.80 m	2.80 m	2.80 m	2.80 m
Turning radius (outside)	3.29 m	3.37 m	3.74 m	3.74 m	3.74 m	3.74 m
Turning radius (inside)	0.68 m	0.68 m	0.97 m	0.97 m	0.97 m	0.97 m
Space under tailswing	0.87 m	1.21 m	1.62 m	1.62 m	1.62 m	1.62 m
Ground clearance	0.38 m	0.38 m	0.43 m	0.43 m	0.43 m	0.43 m
Height (stowed)	2.42 m	2.66 m	2.86 m	2.87 m	2.87 m	2.87 m
Transport height (truck)	2.42 m	2.66 m	2.86 m	2.89 m	2.87 m	2.87 m
Jib vertical rotation	136° (-54°/+82°)	136° (-54°/+82°)	136° (-54°/+82°)	132° (+71°/-61°)	136° (-54°/+82°)	132° (+71°/-61°)
Boom vertical rotation	76° (71°/-5°)	73° (70°/-3°)	71° (+68°/-3°)	71° (+68°/-3°)	71° (+68°/-3°)	71° (+68°/-3°)
Jib type	Regular	Regular	Regular	Telescopic	Regular	Telescopic
Jib length	1.80 m	2.60 m	2.60 m	4.30 m	2.60 m	4.30 m
Basket rotation	180° (±90°)	180° (±90°)	180° (±90°)	180° (±90°)	180° (±90°)	180° (±90°)
Turret rotation (continuous)	360°	360°	360°	360°	360°	360°
Max. gradeability (stowed)	45%	45%	45%	45%	45%	45%
Travel speed (stowed)	5.5 km/h	5.5 km/h	5.5 km/h	5.5 km/h	5.5 km/h	5.5 km/h
Travel speed (extended/raised)	1.1 km/h	1.1 km/h	1.1 km/h	1.1 km/h	1.1 km/h	1.1 km/h
Tyres (foam filled)	315 / 55 D20	315 / 55 D20	385 / 45-28	385 / 45-28	385 / 45-28	385 / 45-28
Engine	Deutz D L4 2.9 36.4 kW	Deutz D L4 2.9 36.4 kW	Deutz TD L4 2.9 55 kW	Deutz TD L4 2.9 55 kW	Deutz TD L4 2.9 55 kW	Deutz TD L4 2.9 55 kW
Total weight	7900 kg	11000 kg	14000 kg	15900 kg	17700 kg	18250 kg
Diesel tank capacity	135 l	135 l	135 l	135 l	135 l	135 l
Hydraulic tank capacity	150 l	150 l	150 l	150 l	150 l	150 l
Power supply	12 V	12 V	12 V	12 V	12 V	12 V
Maximum wind speed	12.5 m/s	12.5 m/s	12.5 m/s	12.5 m/s	12.5 m/s	12.5 m/s

**STANDARDS COMPLIANCE:** EN 280, ANSI/SAIA A92.20

## APPLICATION



**Oil & gas**  
Petro chemical  
Offshore



**Window installation**



**Construction**  
Façade work  
Cladding  
Installation



**Restoration**  
Sandblasting  
Painting



**Large events**  
Concert  
Festival



**Maintenance of green areas**  
Tree cutting



**Aircraft maintenance  
Ship repair**

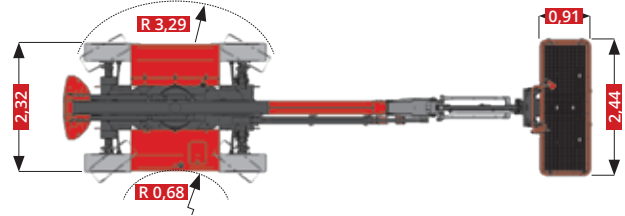
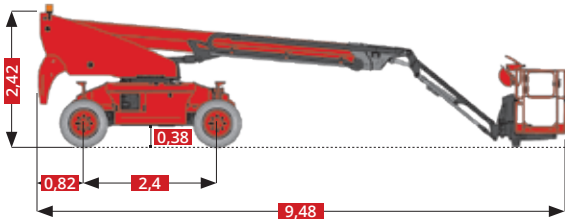


**Plant services**

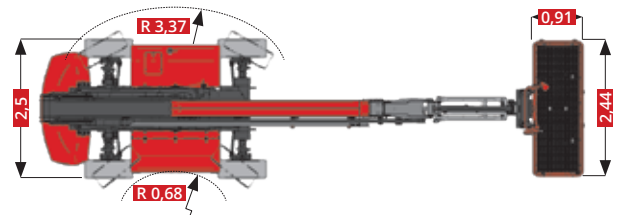
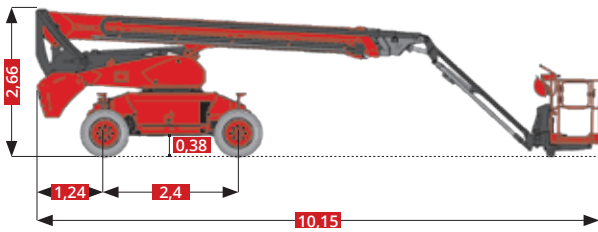
# TECHNICAL DRAWINGS



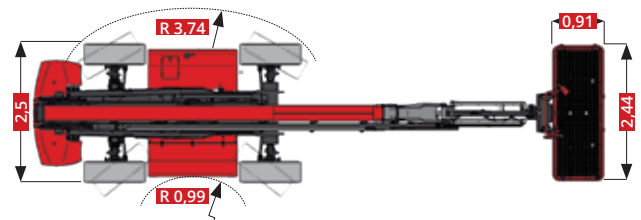
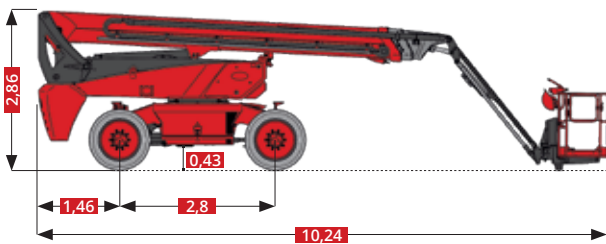
## DTB16HRT



## DTB22HRT



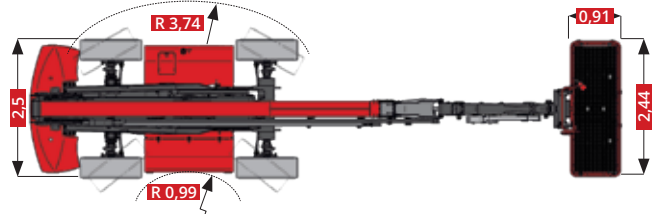
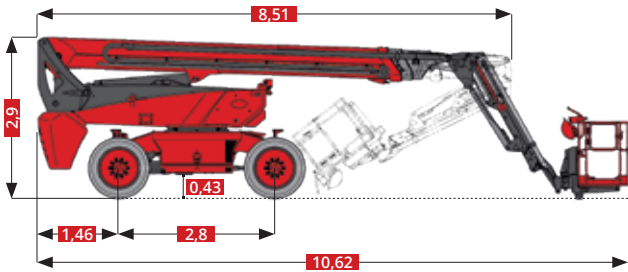
## DTB24HRT



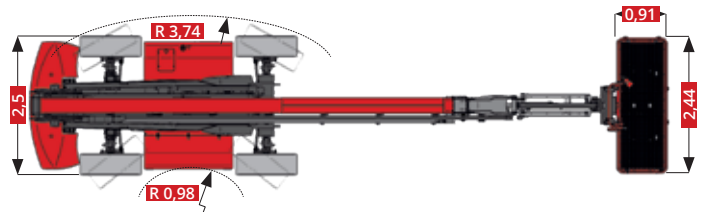
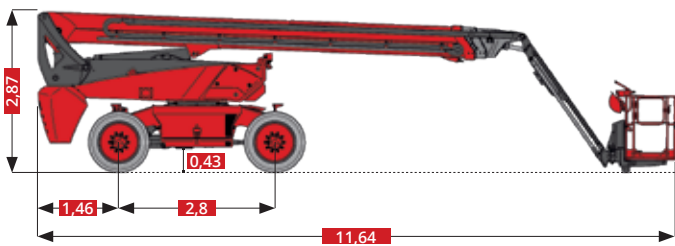


# TECHNICAL DRAWINGS

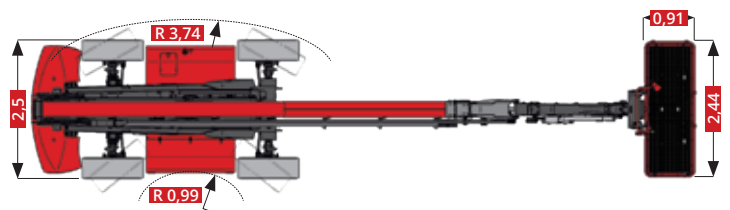
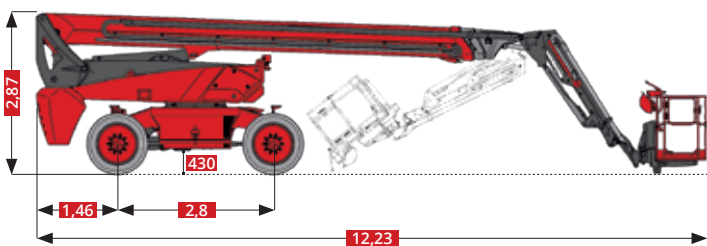
## DTB26HRT



## DTB28HRT

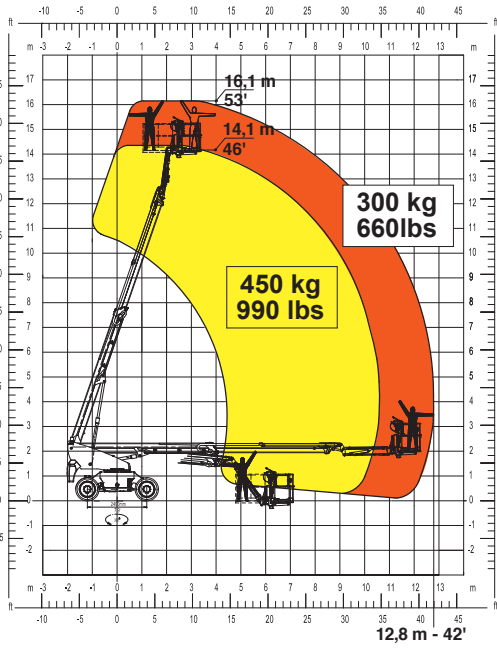


## DTB30HRT

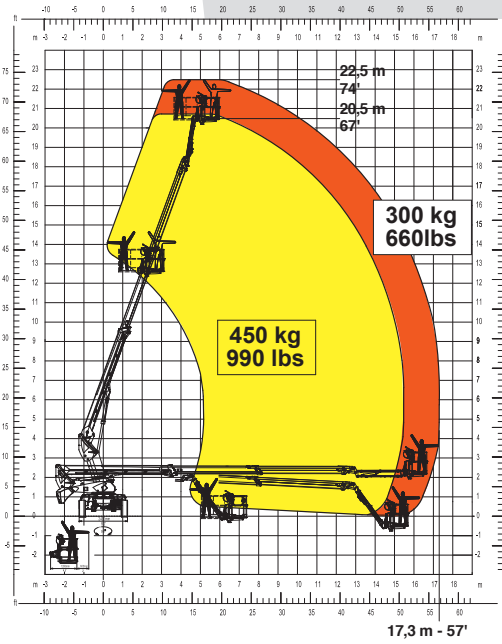


# LOAD CHARTS

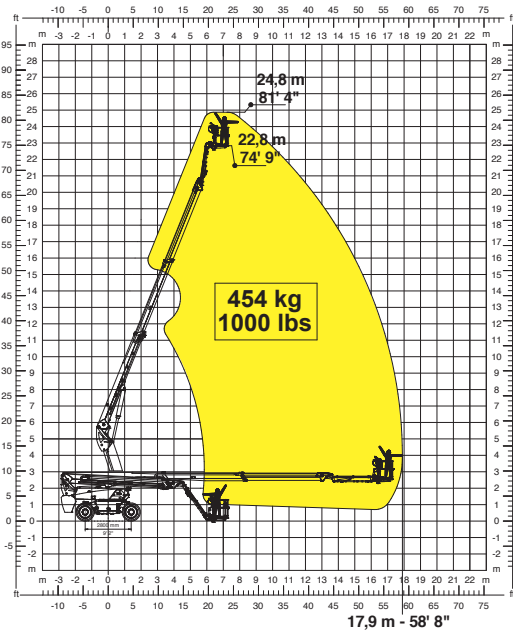
**DTB16HRT**



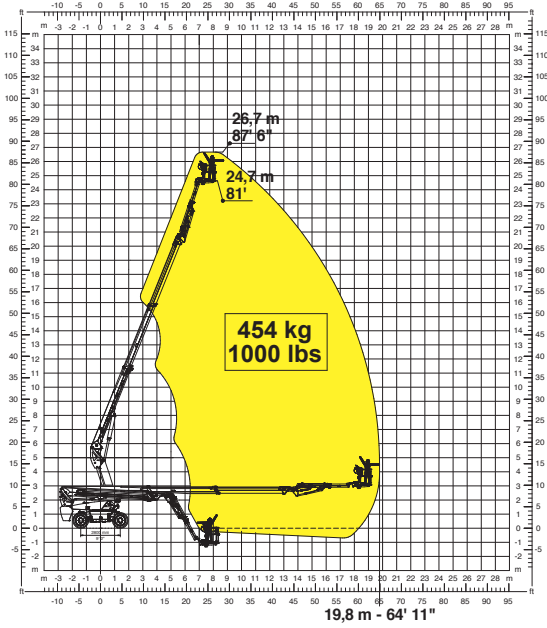
**DTB22HRT**



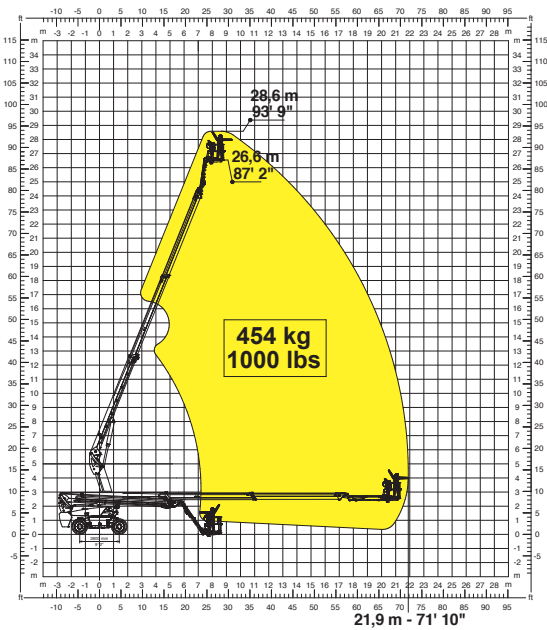
**DTB24HRT**



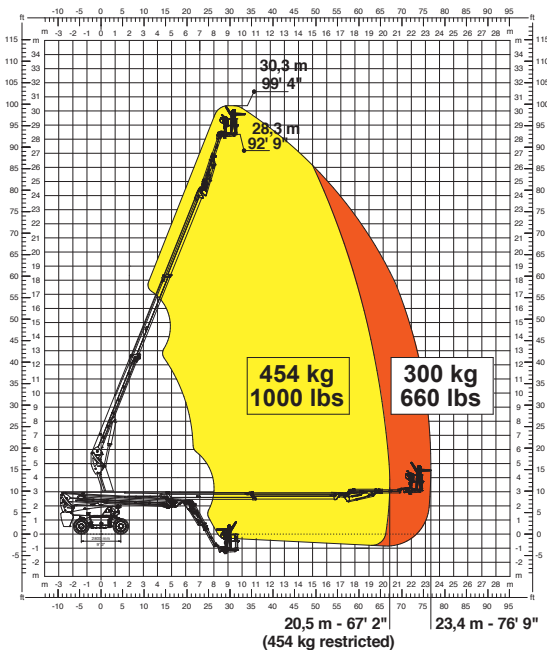
**DTB26HRT**



**DTB28HRT**



**DTB30HRT**





Magni Telescopic Handlers Srl  
Via Magellano, 22 – 41013 Castelfranco Emilia (MO)  
Tel. +39 059 8630811- Fax +39 059 8638012  
commerciale@magnith.com - www.magnith.com